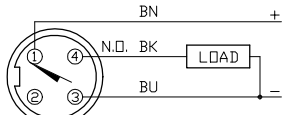
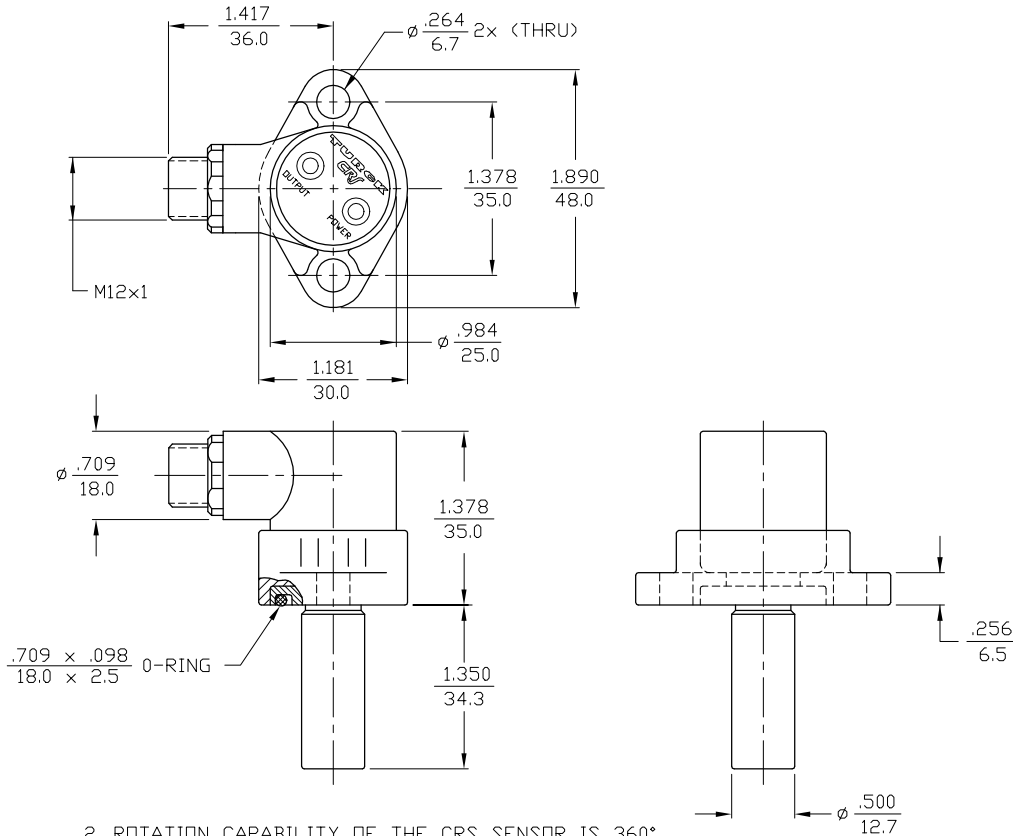


WIRING DIAGRAMS



OUTPUT: AP4X2

SHORT-CIRCUIT AND OVERLOAD PROTECTED



2. ROTATION CAPABILITY OF THE CRS SENSOR IS 360°.

NOTES: 1. "/S34" DESIGNATES WELD FIELD IMMUNITY. SENSOR IS SUITABLE FOR USE ON RESISTANCE WELDING MACHINES.

SPECIFICATIONS

| | |
|---|--|
| OPERATING VOLTAGE | 10-65 V DC (SHORT-CIRCUIT PROTECTED) |
| RIPPLE | ≤10% |
| HYSTERESIS (DIFFERENTIAL TRAVEL) | 3-15% (5% TYPICAL) |
| VOLTAGE DROP ACROSS CONDUCTING SENSOR | 2.0 V at 200 mA (1.3 V TYPICAL) |
| OUTPUT FUNCTION | NORMALLY OPEN 3-WIRE DC SELF-CONTAINED |
| TTL COMPATIBLE | NO |
| SHORT-CIRCUIT PROTECTED | YES |
| TRIGGER CURRENT FOR OVERLOAD PROTECTION | 250-350 mA |
| CONTINUOUS LOAD CURRENT | ≤200 mA |
| LEAKAGE CURRENT | <10 μA |
| NO-LOAD CURRENT | 7.5 mA TYP. (24 V DC) 10.0 mA TYP. (65 V DC) |
| POWER-ON EFFECT PROTECTION | INCORPORATED |
| POLARITY INVERSION PROTECTION | INCORPORATED |
| WIRE BREAK PROTECTION | INCORPORATED |
| PROTECTION AGAINST TRANSIENTS | <2 kV <1 ms <1 J |
| OPERATING TEMPERATURE | -25°C to +75°C (-13°F to +167°F) |
| ENCLOSURE | MEETS NEMA 1, 3, 4, 6, 13 AND IEC IP67 |
| SHOCK | ≤30 g, 11 ms |
| VIBRATION | 10 Hz to 55 Hz, ≤1 mm AMPLITUDE (IN ALL 3 PLANES) |
| LED FUNCTION | YELLOW: OUTPUT ENERGIZED GREEN: POWER ON |
| RATED OPERATING DISTANCE(Sn) | 2 mm = .079" (NOMINAL) |
| SWITCHING FREQUENCY | 30 Hz (APPROX.) |
| REPEATABILITY | <1% |
| OPERATING PRESSURE | 1500 PSI (MAX. APPLIED 3000 PSI) |
| RESPONSE TIME | 15 ms MAX. |
| SHIELDED | YES |
| COLOR CODE | -- |
| MATING PLUGS/CABLES | 4-PIN "EUROFAST" CONSTRUCTION |

| | | | | |
|---|----------------------|-----------------------------|----------|---|
| MATERIAL | 3RD ANGLE PROJECTION | | | TURCK INC 3000 CAMPUS DRIVE MINNEAPOLIS, MN 55441 PHONE: (612) 553-7300 |
| FINISH | | | | |
| DRFT GMB | DATE 6/9/89 | PART NO./DESCR. | | REV B |
| DSGN | Y# | BI 2-CRS343-AP4X2-H1141/S34 | | |
| TMI | SIZE B | ID NO. | T4571800 | |
| DIMENSION UNITS: INCHES [MILLIMETERS] | | SCALE NONE | T4571800 | SHEET OF |

| | | | | |
|-----------|-------------------|------|---------|---------|
| B | REMOVE TABULATION | CBM | 8/27/01 | T4773 |
| REV | DESCRIPTION | DRFT | DATE | ECO NO. |
| REVISIONS | | | | |